

1 2 3 4 5 6

A

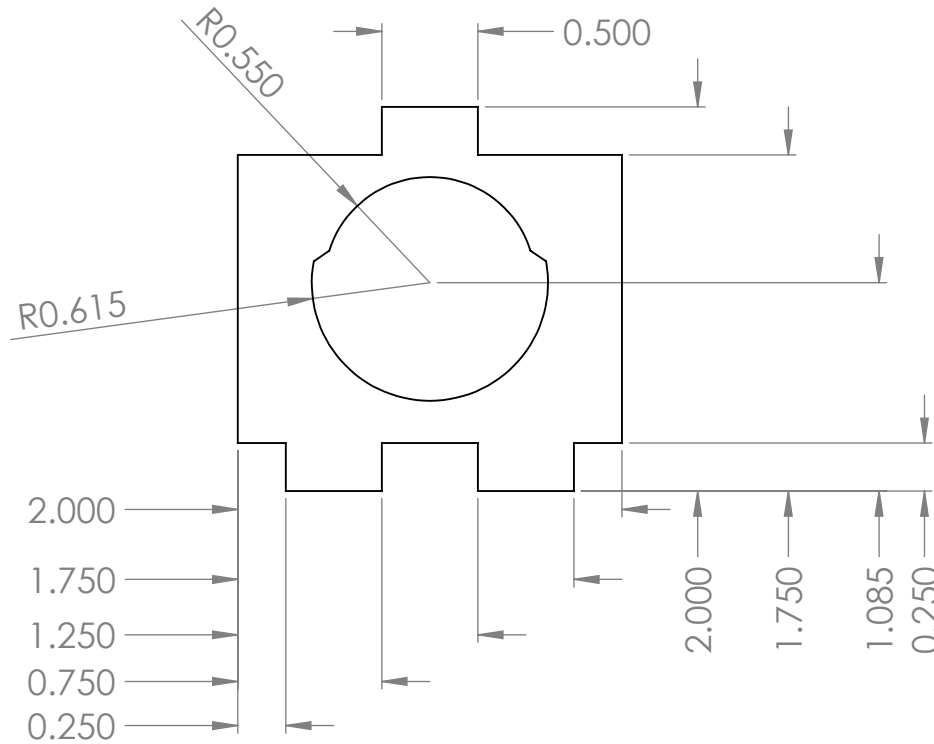
A

B

B

C

C



UNLESS OTHERWISE SPECIFIED:
 DIMENSIONS ARE IN MILLIMETERS
 SURFACE FINISH:
 TOLERANCES:
 LINEAR:
 ANGULAR:
 FINISH:
 DEBUR AND
 BREAK SHARP
 EDGES

DO NOT SCALE DRAWING REVISION

Dustin Gerrard

	NAME	SIGNATURE	DATE		
DRAWN					
CHK'D					
APPV'D					
MFG					
Q.A					

TITLE:
 MotorMount2

**SolidWorks Student Edition.
 For Academic Use Only.**

DWG NO. PartFMotorMount2 A4

1 2 WEIGHT: SCALE:1:1 SHEET 1 OF 1